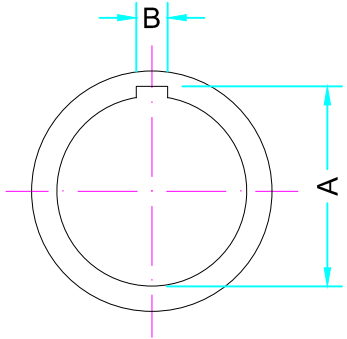
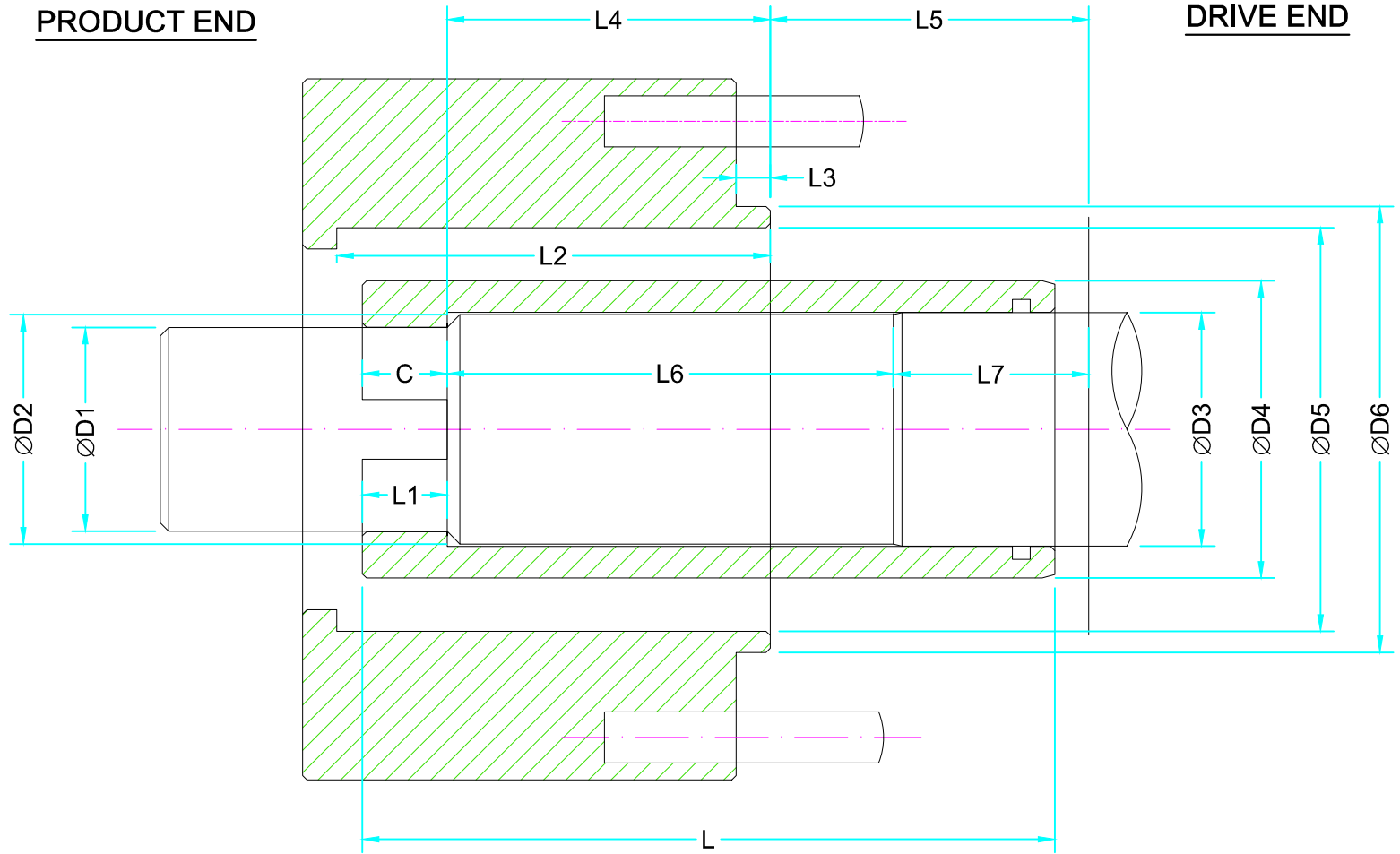


ROUND KEYWAY TYPE DETAILS OF SHAFT SLEEVE



SQAURE KEYWAY TYPE DETAILS OF SHAFT SLEEVE



PUMP							APPLICATION / LIQUID / MEDIA							BUYER :-						
MAKE																				
MODEL																				
NATURE OF LIQUID		TYPE OF LIQUID					PERCENT %	TEMP °C	PRESSURE kg/cm ²	DENSITY kg/cm ³	VISCOSITY Ns/m ²	SPEED	MOC		DIRECTION OF ROTATION					
CLEAR	SLURRY	VISCOUS	ABRASIVE	CORROSSIVE	ACIDIC	CASING							SHAFT	CLOCKWISE	ANTICLOCKWISE					
<input type="checkbox"/>	<input type="checkbox"/>	<input type="checkbox"/>	<input type="checkbox"/>	<input type="checkbox"/>	<input type="checkbox"/>									<input type="checkbox"/>	<input type="checkbox"/>					
PUMP DETAILS	D1	D2	D3	D4	D5	D6	L	L1	L2	L3	L4	L5	L6	L7	PCD	Nos. of BOLTS	SIZE of BOLTS	KEYWAY TYPE :- ROUND <input type="checkbox"/> SQUARE <input type="checkbox"/>		
SIZE																		K.W. ID (A)	K.W. WIDTH (B)	S.K.W. LEN (C)